



eSD Memory Card Specification

(MLC, BGA100)

Version 1.1

Address: 28 Genting Lane, #09-03/04/05 Platinum 28, Singapore 349585

Tel : +65-6493 5035

Fax : +65-6493 5037

Website: <http://www.flexxon.com>

Email: flexxon@flexxon.com

ALL RIGHTS ARE STRICTLY RESERVED. ANY PORTION OF THIS PAPER SHALL NOT BE REPRODUCED, COPIED, OR TRANSLATED TO ANY OTHER FORMS WITHOUT PERMISSION FROM FLEXXON.

Table of Contents

1.	General Description.....	1
1.1.	Introduction.....	1
1.2.	Product Overview	1
2.	Product Specifications.....	3
2.1.	Performance	3
2.2.	Power	3
3.	Interface Description	4
3.1.	FLEXON eSD Ball Array	4
3.2.	FLEXON eSD Pin Assignment.....	5
4.	Electrical Specifications	6
4.1.	Absolute Maximum Rating	6
4.2.	DC Characteristics	6
4.2.1.	Bus Operation Conditions for 3.3V Signaling.....	6
4.2.2.	Bus Signal Line Load.....	7
4.3.	AC Characteristic.....	8
4.3.1.	eSD Interface timing (Default)	8
4.3.2.	eSD Interface Timing (High-Speed Mode).....	9
4.3.3.	eSD Interface timing (SDR12, SDR25, SDR50 and SDR104 Modes).....	10
4.3.4.	eSD Interface timing (DDR50 Modes)	12
5.	Package.....	14
6.	Ordering Information.....	15

FLEXON CONFIDENTIAL

1. GENERAL DESCRIPTION



1.1. Introduction

FLEXON eSD is compatible with SD Interface and JEDEC 100ball BGA. It provides high data transfer rate, high random IOPS, Power Loss Protection, and read/program disturb management etc. It is designed for high performance, good reliability and wide compatibility. It's well adapted for industrial applications.

1.2. Product Overview

- ❖ **Package**
 - 100 ball BGA package
- ❖ **Flash**
 - MLC
- ❖ **Capacity**
 - 8GB up to 64GB
- ❖ **Support SD system specification version 3.0**
- ❖ **Support SD SPI mode**
- ❖ **Support Dynamic and Static Wear Leveling**
- ❖ **Management of Power Loss Protection**
- ❖ **Read disturbance management**
- ❖ **Temperature Range**
 - Operation (Gold): -25°C ~ 85°C
 - Operation (Diamond): -40°C ~ 85°C
 - Storage: -50°C ~ 95°C
- ❖ **SMART Function**
- ❖ **RoHS Compliant**

❖ **Bus Speed Mode**

▪ **Non-UHS mode**

- Default speed mode: 3.3V signaling, frequency up to 25MHz, up to 12.5MB/sec
- High speed mode: 3.3V signaling, frequency up to 50MHz, up to 25MB/sec

▪ **UHS-I mode**

- SDR12: SDR up to 25MHz, 1.8V signaling
- SDR25: SDR up to 50MHz, 1.8V signaling
- SDR50: 1.8V signaling, frequency up to 100MHz, up to 50 MB/sec
- SDR104: 1.8V signaling, frequency up to 208MHz, up to 104 MB/sec
- DDR50: 1.8V signaling, frequency up to 50MHz, sampled on both clock edges, up to 50 MB/sec

FLEXON CONFIDENTIAL

2. PRODUCT SPECIFICATIONS



2.1. Performance

Table 2-1 Performance of eSD

Capacity	Sequential	
	Read (MB/s)	Write (MB/s)
8GB	90	27
16GB	90	52
32GB	90	80
64GB	90	80

NOTES:

1. The performance is obtained from TestMetrix Test (@500MB).
2. Samples are made of MLC NAND Flash.
3. Performance may vary from flash configuration and platform.

2.2. Power

Table 2-2 Power Consumption of eSD

Capacity	Read (mA)	Write (mA)	Standby (uA)
8GB	180	89	220
16GB	190	120	240
32GB	190	140	290
64GB	190	170	330

NOTES:

1. Power consumption may vary from flash configuration and platform.

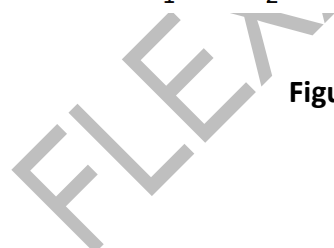
3. INTERFACE DESCRIPTION



3.1. FLEXXON eSD Ball Array

	1	2	3	4	5	6	7	8	9	10	
A	NC	NC							NC	NC	A
B	NC									NC	B
C											C
D		NC	NC	NC	NC	NC	NC	NC	NC		D
E		NC	NC	NC	NC	NC	NC	NC	NC		E
F		VCC	VCC	VCC	VCC	VCC	VCC	VCC	VCC		F
G		VSS	VSS	VSS	VSS	VSS	VSS	VSS	VSS		G
H		VSS	NC	NC	NC	NC	NC	NC	VSS		H
J		NC	NC	NC	NC	NC	NC	NC	NC		J
K		DAT0	DAT2	NC	NC	NC	NC	NC	NC		K
L		NC	VSS	NC	NC	NC	NC	VSS	NC		L
M		NC	NC	VSS	NC	NC	VSS	NC	NC		M
N		DAT1	DAT3	NC	NC	NC	NC	NC	NC		N
P		VSS	NC	NC	CMD	CLK	NC	NC	VSS		P
R											R
T	NC									NC	T
U	NC	NC							NC	NC	U
	1	2	3	4	5	6	7	8	9	10	

Figure 3-1 eSD interface in 100Balls Array (Top View)



3.2. FLEXXON eSD Pin Assignment

Table 3-1 eSD in SD Bus Mode Pin Assignment

eSD in SD Bus Mode			
Ball No.	Ball Signal	Type	Description
K3	DAT2	I/O	Data Line[Bit2]
N3	BD/DAT3	I/O	BGA Detect /Data Line[Bit3]
P5	CMD	PP	Command / Response
VCC	VCC	S	Supply Voltage
P6	CLK	I	Clock
VSS	VSS	S	Supply Voltage Ground
K2	DAT0	I/O	Data Line [Bit 0]
N2	DAT1	I/O	Data Line [Bit 1]

Notes:

1. S: power supply; I: input; O: output using push-pull drivers; PP: I/O using push-pull drivers;
2. The extended DAT Lines (DAT1-DAT3) are input on power up. They start to operate as DAT lines after SET_BUS_WIDTH command. The Host shall keep its own DAT1-DAT3 lines in input mode, as well, while they are not used.

Table 3-2 eSD in SD Bus Mode Pin Assignment

eSD in SPI Bus Mode			
Ball No.	Ball Signal	Type	Description
K3	RSV		Reserved
N3	CS	I	Chip Select (neg true)
P5	DI	I	Data In
VCC	VCC	S	Supply Voltage
P6	SCLK	I	Clock
VSS	VSS	S	Supply Voltage Ground
K2	DO	O	Data Out
N2	RSV		Reserved

4. ELECTRICAL SPECIFICATIONS



4.1. Absolute Maximum Rating

Item	Symbol	Parameter	MIN	MAX	Unit
1	V _{DD}	Supply Voltage	2.7	3.6	V
2	T _a	Operating Temperature	-40	+85	°C
3	T _{st}	Storage Temperature	-50	+95	°C

4.2. DC Characteristics

4.2.1. Bus Operation Conditions for 3.3V Signaling

Table 4-1 Threshold Level for High Voltage Range

Parameter	Symbol	Min.	Max	Unit	Condition
Supply Voltage	V _{DD}	2.7	3.6	V	
Output High Voltage	V _{OH}	0.75*V _{DD}		V	I _{OH} =-2mA V _{DD} Min
Output Low Voltage	V _{OL}		0.125*V _{DD}	V	I _{OL} =2mA V _{DD} Min
Input High Voltage	V _{IH}	0.625*V _{DD}	V _{DD} +0.3	V	
Input Low Voltage	V _{IL}	V _{SS} -0.3	0.25*V _{DD}	V	
Power Up Time			250	ms	From 0V to V _{DD} min

Parameter	Symbol	Min.	Max	Unit	Condition
Supply Voltage	V _{DD}	2.7	3.6	V	
Regulator Voltage	V _{DDIO}	1.7	1.95	V	Generated by V _{DD}
Output High Voltage	V _{OH}	1.4	-	V	I _{OH} =-2mA
Output Low Voltage	V _{OL}	-	0.45	V	I _{OL} =2mA
Input High Voltage	V _{IH}	1.27	2.00	V	
Input Low Voltage	V _{IL}	V _{SS} -0.3	0.58	V	

Parameter	Symbol	Min	Max.	Unit	Remarks
Input Leakage Current		-2	2	uA	DAT3 pull-up is disconnected.

Table 4-2 Peak Voltage and Leakage Current

Parameter	Symbol	Min	Max.	Unit	Remarks
Peak voltage on all lines		-0.3	$V_{DD}+0.3$	V	
All Inputs					
Input Leakage Current		-10	10	uA	
All Outputs					
Output Leakage Current		-10	10	uA	

4.2.2. Bus Signal Line Load

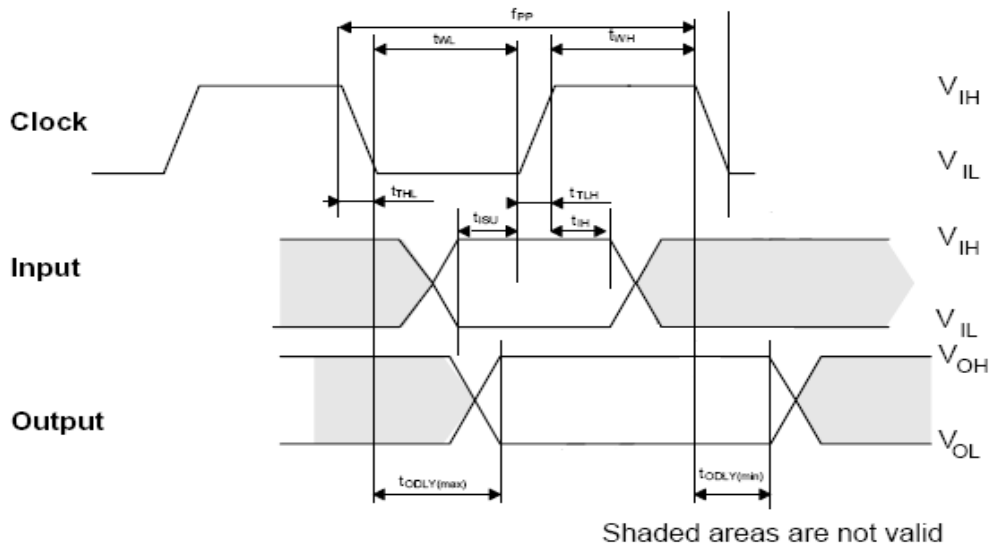
Bus Operation Conditions – Signal Line's Load

Total Bus Capacitance = $C_{HOST} + C_{BUS} + N C_{BGA}$

Parameter	symbol	Min	Max	Unit	Remark
Pull-up resistance	R_{CMD} R_{DAT}	10	100	k Ω	to prevent bus floating
Total bus capacitance for each signal line	C_L		40	pF	1 BGA $C_{HOST}+C_{BUS}$ shall not exceed 30 pF
BGA Capacitance for each signal pin	C_{BGA}		10^1	pF	
Maximum signal line inductance			16	nH	
Pull-up resistance inside BGA (pin1)	R_{DAT3}	10	90	k Ω	May be used for BGA detection
Capacity Connected to Power Line	C_C		5	uF	To prevent inrush current

4.3. AC Characteristic

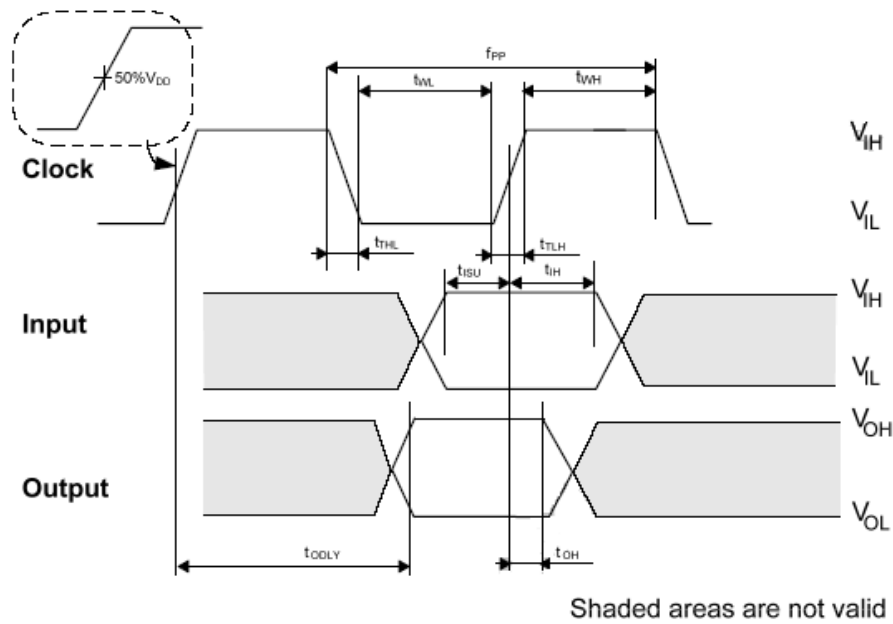
4.3.1. eSD Interface timing (Default)



Parameter	Symbol	Min	Max	Unit	Remark
Clock CLK (All values are referred to min(V_{IH}) and max(V_{IL}))					
Clock frequency Data Transfer Mode	f _{PP}	0	25	MHz	C _{BGA} ≤ 10 pF (1 BGA)
Clock frequency Identification Mode	f _{OD}	0 ₍₁₎ /100	400	KHz	C _{BGA} ≤ 10 pF (1 BGA)
Clock low time	t _{WL}	10		ns	C _{BGA} ≤ 10 pF (1 BGA)
Clock high time	t _{WH}	10		ns	C _{BGA} ≤ 10 pF (1 BGA)
Clock rise time	t _{TLH}		10	ns	C _{BGA} ≤ 10 pF (1 BGA)
Clock fall time	t _{THL}		10	ns	C _{BGA} ≤ 10 pF (1 BGA)
Inputs CMD, DAT (referenced to CLK)					
Input set-up time	t _{ISU}	5		ns	C _{BGA} ≤ 10 pF (1 BGA)
Input hold time	t _{IH}	5		ns	C _{BGA} ≤ 10 pF (1 BGA)
Outputs CMD, DAT (referenced to CLK)					
Output Delay time during Data Transfer Mode	t _{ODLY}	0	14	ns	C _L ≤ 40 pF (1 BGA)
Output Delay time during Identification Mode	t _{ODLY}	0	50	ns	C _L ≤ 40 pF (1 BGA)

(1) 0Hz means to stop the clock. The given minimum frequency range is for cases where continuous clock is required.

4.3.2. eSD Interface Timing (High-Speed Mode)

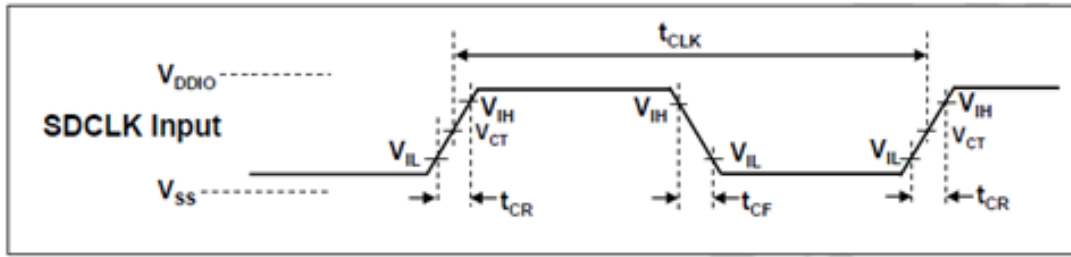


Parameter	Symbol	Min	Max	Unit	Remark
Clock CLK (All values are referred to min(V_{IH}) and max(V_{IL}))					
Clock frequency Data Transfer Mode	f _{PP}	0	50	MHz	C _{BGA} ≤ 10 pF (1 BGA)
Clock low time	t _{WL}	7		ns	C _{BGA} ≤ 10 pF (1 BGA)
Clock high time	t _{WH}	7		ns	C _{BGA} ≤ 10 pF (1 BGA)
Clock rise time	t _{TLH}		3	ns	C _{BGA} ≤ 10 pF (1 BGA)
Clock fall time	t _{THL}		3	ns	C _{BGA} ≤ 10 pF (1 BGA)
Inputs CMD, DAT (referenced to CLK)					
Input set-up time	t _{ISU}	6		ns	C _{BGA} ≤ 10 pF (1 BGA)
Input hold time	t _{IH}	2		ns	C _{BGA} ≤ 10 pF (1 BGA)
Outputs CMD, DAT (referenced to CLK)					
Output Delay time during Data Transfer Mode	t _{ODLY}		14	ns	C _L ≤ 40 pF (1 BGA)
Output Hold time	T _{OH}	2.5		ns	C _L ≤ 15 pF (1 BGA)
Total System capacitance of each line ¹	C _L		40	pF	C _L ≤ 15 pF (1 BGA)

(1) In order to satisfy severe timing, the host shall drive only one BGA.

4.3.3. eSD Interface timing (SDR12, SDR25, SDR50 and SDR104 Modes)

Input:

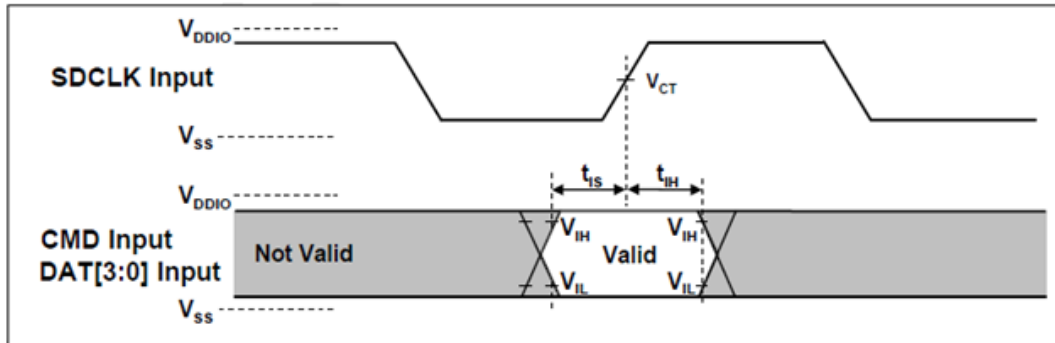


Clock Signal Timing

Symbol	Min	Max	Unit	Remark
t_{CLK}	4.80	-	ns	208MHz (Max.), Between rising edge, $V_{CT}= 0.975V$
t_{CR}, t_{CF}	-	$0.2 * t_{CLK}$	ns	$t_{CR}, t_{CF} < 0.96ns$ (max.) at 208MHz, $C_{BGA}=10pF$ $t_{CR}, t_{CF} < 2.00ns$ (max.) at 100MHz, $C_{BGA}=10pF$ The absolute maximum value of t_{CR}, t_{CF} is 10ns regardless of clock frequency
Clock Duty	30	70	%	

Clock Signal Timing

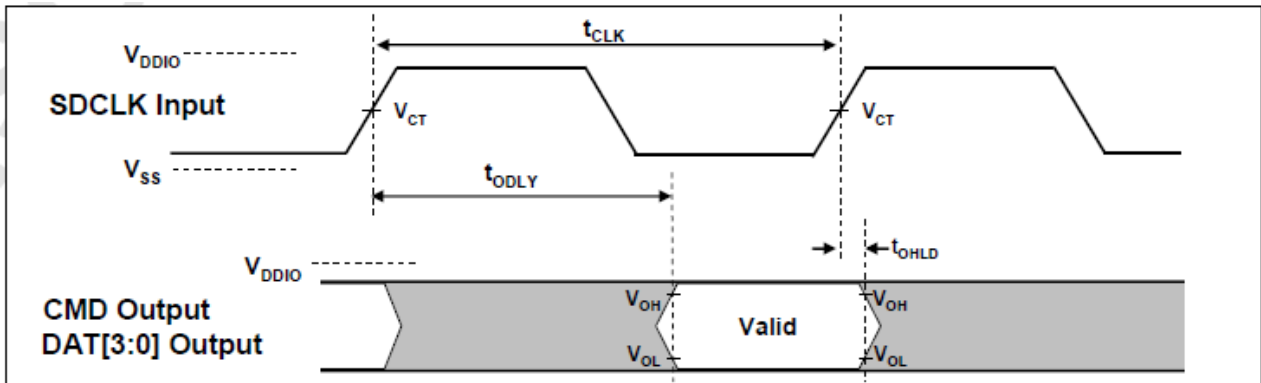
SDR50 and SDR104 Input Timing:



Card Input Timing

Symbol	Min	Max	Unit	SDR104 Mode
t_{IS}	1.40	-	ns	$C_{BGA} = 10pF, V_{CT}= 0.975V$
t_{IH}	0.80	-	ns	$C_{BGA} = 5pF, V_{CT}= 0.975V$
Symbol	Min	Max	Unit	SDR50 Mode
t_{IS}	3.00	-	ns	$C_{BGA} = 10pF, V_{CT}= 0.975V$
t_{IH}	0.80	-	ns	$C_{BGA} = 5pF, V_{CT}= 0.975V$

Output:

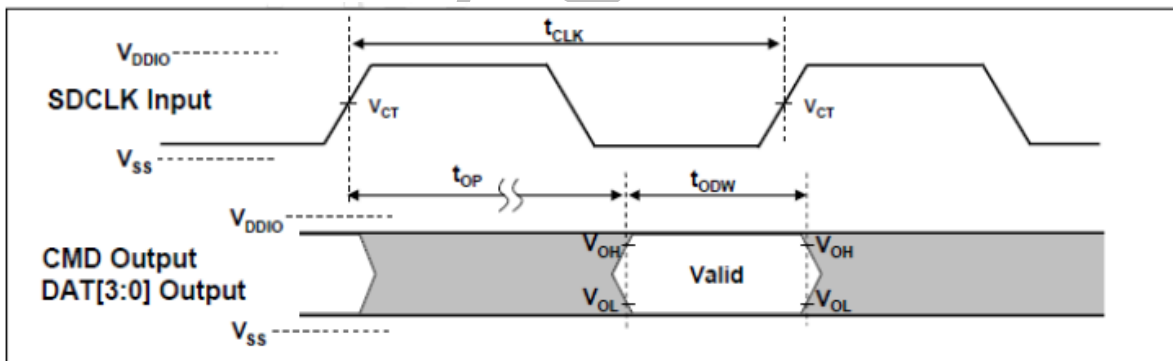


Output Timing of Fixed Data Window

Symbol	Min	Max	Unit	Remark
t_{ODLY}	-	7.5	ns	$t_{CLK} \geq 10.0ns$, $C_L = 30pF$, using driver Type B, for SDR50
t_{ODLY}	-	14	ns	$t_{CLK} \geq 20.0ns$, $C_L = 40pF$, using driver Type B, for SDR25 and SDR12,
T_{OH}	1.5	-	ns	Hold time at the t_{ODLY} (min.), $C_L = 15pF$

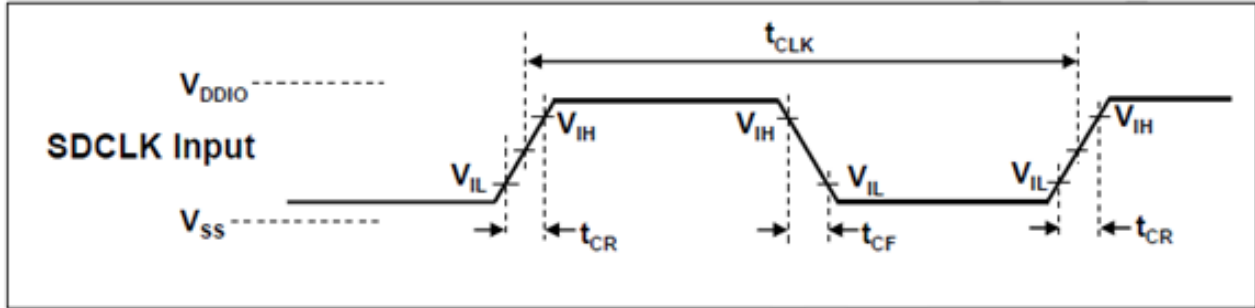
Output Timing of Fixed Data Window

Output (SDR104 Mode):



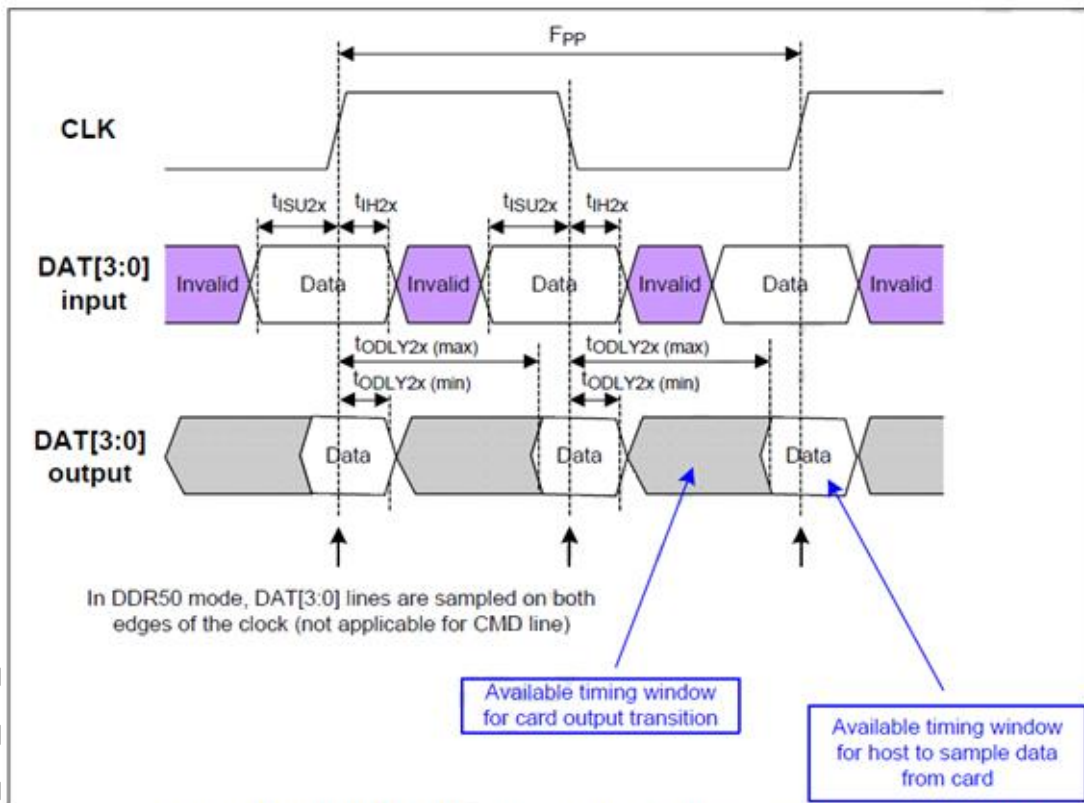
Symbol	Min	Max	Unit	Remark
t_{OP}	0	2	UI	BGA Output Phase
Δt_{OP}	-350	+1550	ps	Delay variable due to temperature change after tuning
t_{ODW}	0.60	-	UI	$t_{ODW} = 2.88ns$ at 208MHz

4.3.4. eSD Interface timing (DDR50 Modes)



Clock Signal Timing

Symbol	Min	Max	Unit	Remark
t_{CLK}	4.8	-	ns	50MHz (Max.), Between rising edge
t_{CR}, t_{CF}	-	$0.2 * t_{CLK}$	ns	$t_{CR}, t_{CF} < 4.00ns$ (max.) at 50MHz, $C_{BGA}=10pF$
Clock Duty	45	55	%	



Timing Diagram DAT Inputs/Outputs Referenced to CLK in DDR50 Mode

Bus Timings – Parameters Values (DDR50 Mode)

Parameter	Symbol	Min	Max	Unit	Remark
Input CMD (referenced to CLK rising edge)					
Input set-up time	t_{ISU}	6	-	ns	$C_{BGA} \leq 10 \text{ pF}$ (1 BGA)
Input hold time	t_{IH}	0.8	-	ns	$C_{BGA} \leq 10 \text{ pF}$ (1 BGA)
Output CMD (referenced to CLK rising edge)					
Output Delay time during Data Transfer Mode	t_{ODLY}		13.7	ns	$C_L \leq 30 \text{ pF}$ (1 BGA)
Output Hold time	T_{OH}	1.5	-	ns	$C_L \geq 15 \text{ pF}$ (1 BGA)
Inputs DAT (referenced to CLK rising and falling edges)					
Input set-up time	t_{ISU2x}	3	-	ns	$C_{BGA} \leq 10 \text{ pF}$ (1 BGA)
Input hold time	t_{IH2x}	0.8	-	ns	$C_{BGA} \leq 10 \text{ pF}$ (1 BGA)
Outputs DAT (referenced to CLK rising and falling edges)					
Output Delay time during Data Transfer Mode	t_{ODLY2x}	-	7.0	ns	$C_L \leq 25 \text{ pF}$ (1 BGA)
Output Hold time	T_{OH2x}	1.5	-	ns	$C_L \geq 15 \text{ pF}$ (1 BGA)

FLEXON CONFIDENTIAL

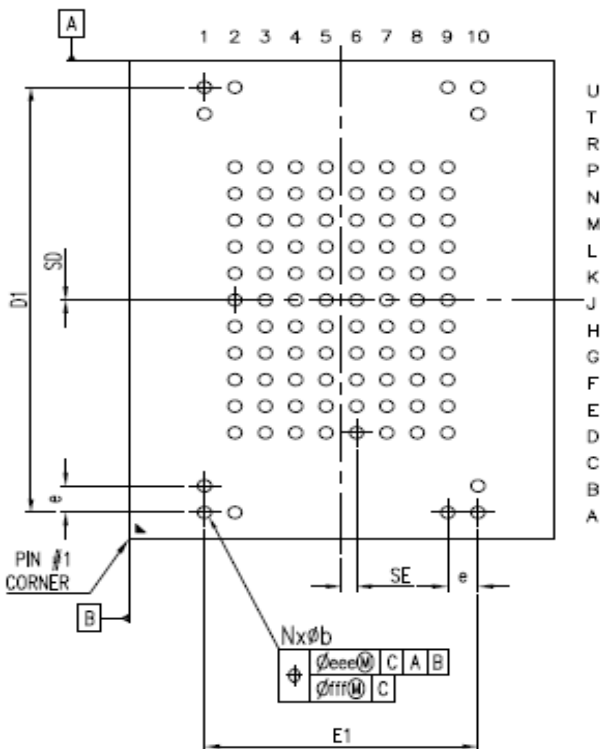
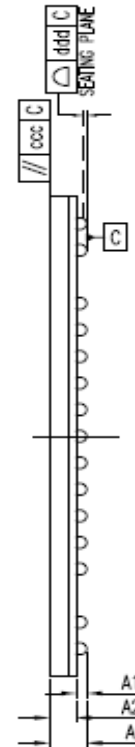
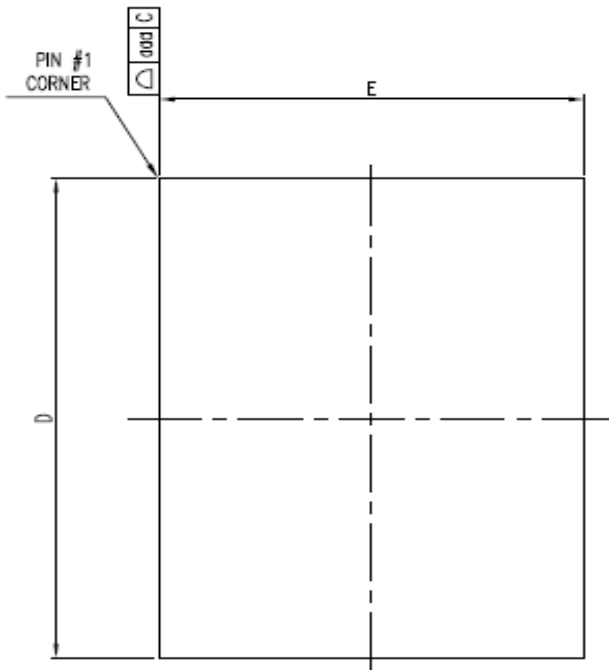
5. PACKAGE



Package Size: 14.0 x 18.0 x 1.4mm

Ball Size: 0.45mm

Ball Pitch: 1.0mm



U
T
R
P
N
M
L
K
J
H
G
F
E
D
C
B
A

SYMBOL	DIMENSION IN MM			DIMENSION IN INCH		
	MIN.	NOM	MAX.	MIN.	NOM	MAX.
A	1.11	1.23	1.35	0.044	0.048	0.053
A1	0.30	0.35	0.40	0.012	0.014	0.016
A2	0.81	0.88	0.95	0.032	0.035	0.037
b	0.40	0.45	0.50	0.016	0.018	0.020
D	17.90	18.00	18.10	0.705	0.709	0.713
E	13.90	14.00	14.10	0.547	0.551	0.555
e	1.00 BSC.			0.039 BSC.		
aaa	0.10					
ccc	0.20					
ddd	0.10					
eee	0.15					
fff	0.10					
N	SE (mm)	SD (mm)	E1 (mm)	D1 (mm)		
100	0.50 BSC.	0.00 BSC.	9.00 BSC.	16.00 BSC.		

6. ORDERING INFORMATION



Capacity	Part Number (Gold)	Part Number (Diamond)
8GB	FDME008GMG-N230	FDME008GME-N230
16GB	FDME016GMG-N230	FDME016GME-N230
32GB	FDME032GMG-N230	FDME032GME-N230
64GB	FDME064GMG-N230	FDME064GME-N230

FLEXON CONFIDENTIAL

Revision History

Revision	Release Date	Description
1.0	2020/07	First release
1.1	2020/07	Update Product Specification

FLEXON CONFIDENTIAL