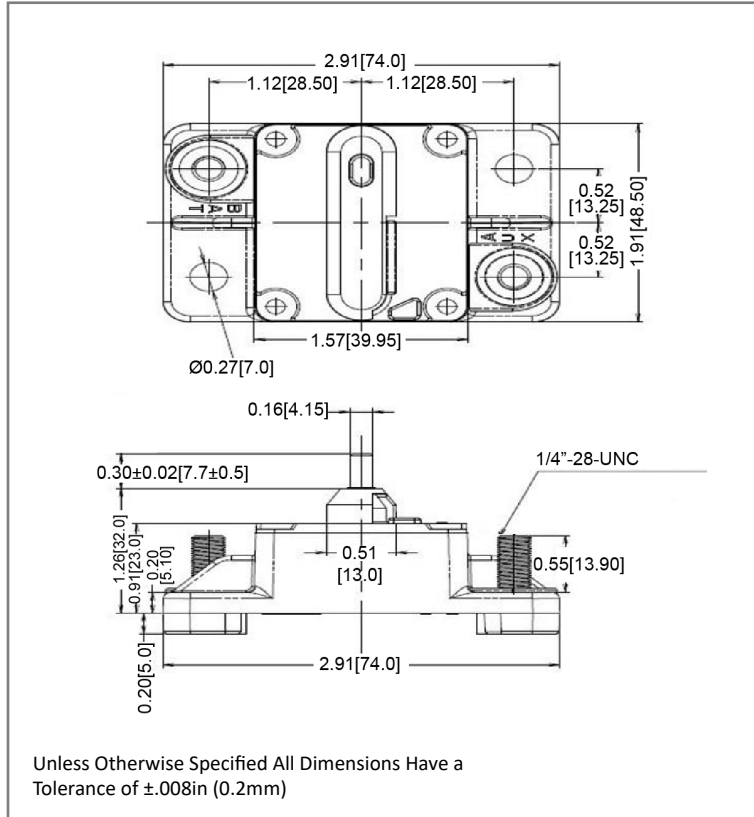
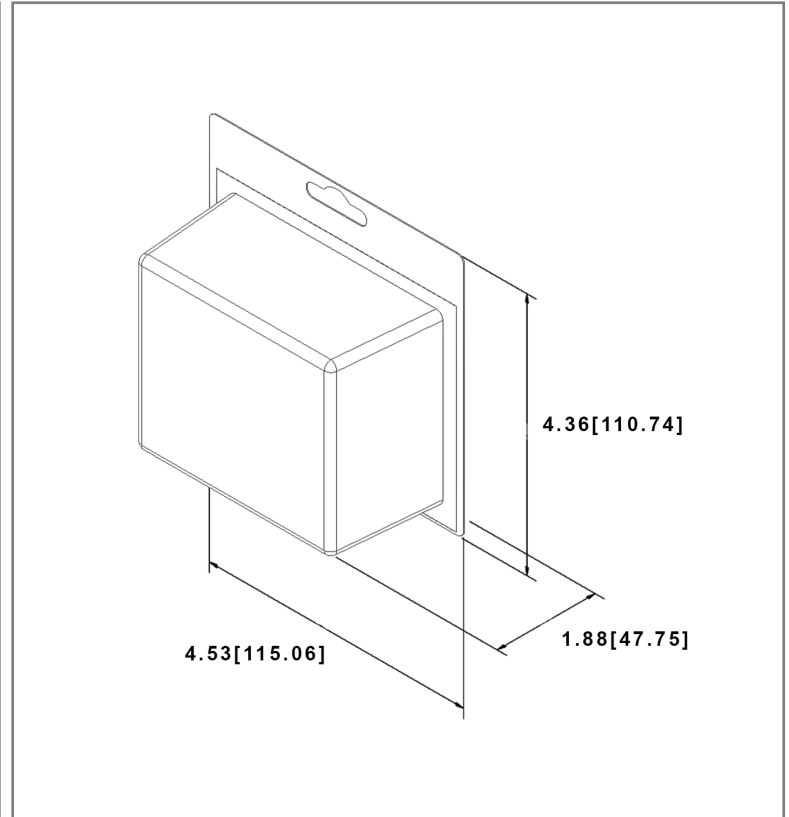


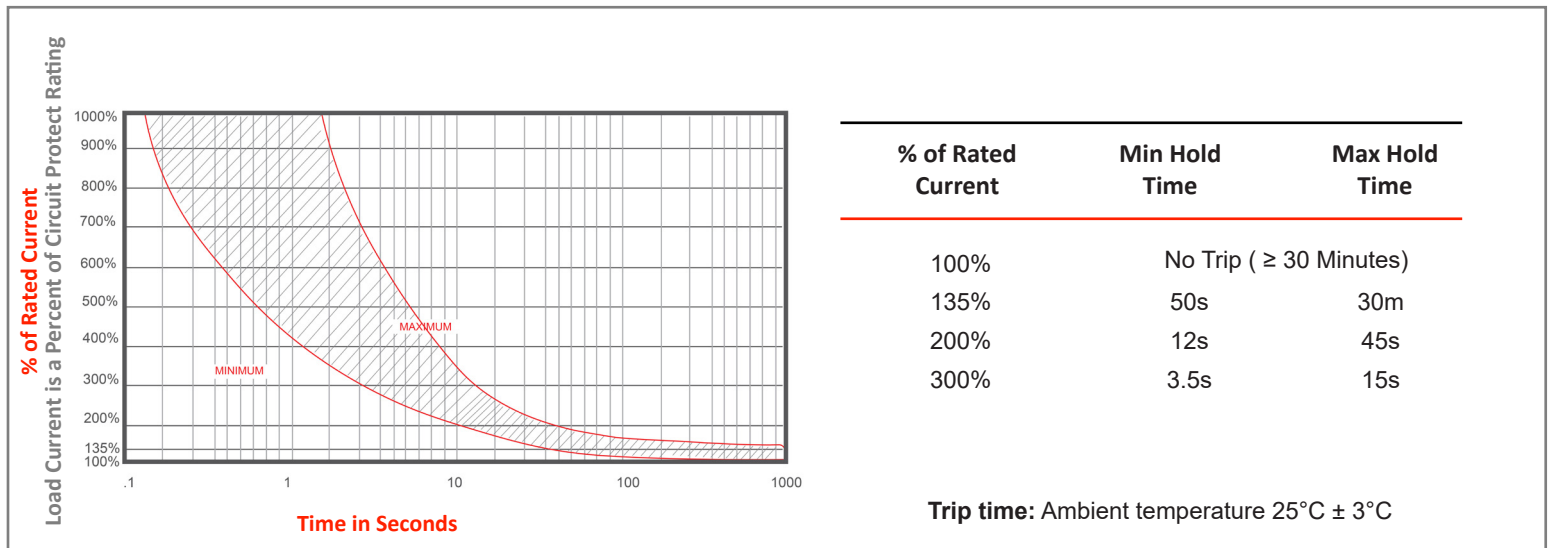
## Mechanical Dimensions: Inches [mm]



## Retail Pack: Inches [mm]



## Time vs. Percent of Rated Current



## Electrical Specifications

<b>Voltage Rating</b>	42VDC; 48VDC
<b>Reset Type</b>	Type III - Manual Reset
<b>Interrupting Rating</b>	3000A @ 30VDC (ABYC E-11); 1500A @ 48VDC; 3000A @ 44VDC
<b>Operation Temperature</b>	$-40^{\circ}\text{F} \sim 185^{\circ}\text{F}$   $-40^{\circ}\text{C} \sim 85^{\circ}\text{C}$
<b>Testing</b>	SAE J553, IEC 60934

## Material Specifications

Heavy Duty High Amp - Waterproof Circuit Breaker	
<b>Body Material</b>	Thermoset Plastic (UL94V-0)
<b>Terminals Material</b>	Nickel Plated
<b>Terminals Configuration</b>	1/4"-28 Stud
<b>Mounting Type</b>	Surface Mount
<b>Studs Torque</b>	10.3 N.m max.
<b>Mounting Torque</b>	$\sim 13.6$ N-m MAX
<b>Ignition Protected</b>	SAE J1171
<b>Ingress Protection</b>	IP67

## Part Numbers Information

Amperage	Bulk Part #	Retail Pack # Blister Card	Pack Size
25A	153025	153025-BP	1
30A	153030	153030-BP	1
40A	153040	153040-BP	1
50A	153050	153050-BP	1
60A	153060	153060-BP	1
70A	153070	153070-BP	1
80A	153080	153080-BP	1
90A	153090	153090-BP	1
100A	153100	153100-BP	1
120A	153120	153120-BP	1
135A	153135	153135-BP	1
150A	153150	153150-BP	1
180A	153180	153180-BP	1
200A	153200	153200-BP	1

Rev	Date of issue	Revision Notes	Designed	Approved
I	10-14-2025	Updated Voltage Rating; Updated Interrupting Rating	RC	OF