

High Performance SPDT Analog Switch with Over-Voltage Tolerance

FSA3051



X2DFN6 1x1, 0.35P
(TMLP)
CASE 716AA

Description

The FSA3051 is a 6 Ω , bi-directional, low-power, two port, high-speed, Single Pole / Double Throw (SPDT) analog switch. It features an extremely low on capacitance (C_{ON}) of 7.7 pF and wide bandwidth of 1.0 GHz.

The FSA3051 contains special circuitry on the switch I/O pins for applications where the V_{CC} supply is powered-off ($V_{CC} = 0$ V), which allows the device to withstand an over-voltage condition. This device is designed to minimize current consumption even when the control voltage applied to the select (S) pin is lower than the supply voltage (V_{CC}). This feature is especially valuable to ultra-portable applications, such as cell phones, allowing for direct interface with the general-purpose I/Os of the baseband processor. Other applications include switching in portable cell phones, PDAs, digital cameras, printers, and notebook computers.

Features

- Low On Capacitance: 7.7 pF Typical
- Low On Resistance: 6 Ω Typical
- Low Power Consumption: 1 μ A Maximum
 - ◆ 15 μ A Maximum I_{CCT} over an Expanded Voltage Range ($V_{IN} = 1.8$ V, $V_{CC} = 5.5$ V)
- Wide -3 db Bandwidth: 1.0 GHz
- Packaged in Ultra Small 6-Lead TMLP
- Broad V_{CC} Operating Range: 1.6 V to 5.5 V
- Over-Voltage Tolerance (OVT) on all Data Ports up to 6 V without External Components

Applications

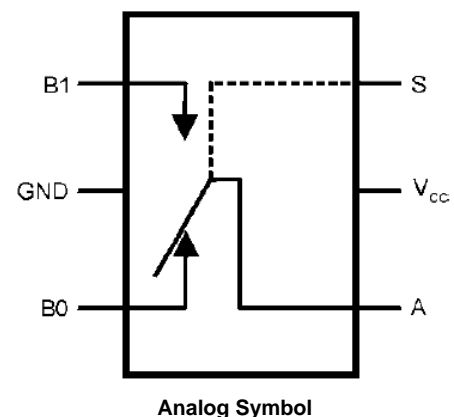
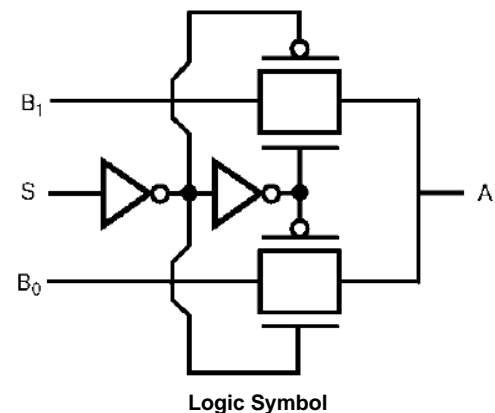
- Cell Phone, PDA, Digital Camera, and Notebook
- LCD Monitor, TV, and Set-Top Box

MARKING DIAGRAM



NT = Specific Device Code
 &K = 2-Digits Lot Run Traceability Code
 &2 = 3-Digit Plant Code
 &Z = Assembly Plant Code

ANALOG SYMBOLS



ORDERING INFORMATION

See detailed ordering and shipping information on page 6 of this data sheet.

PIN ASSIGNMENTS

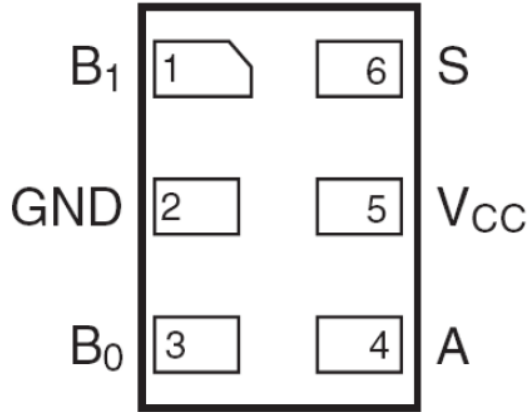


Figure 1. 6-Lead TMLP (Top-Through View)

PIN DEFINITIONS

UMLP Pin#	Name	Description
1	B ₁	Data Port
2	GND	Ground
3	B ₀	Data Port
4	A	Data Port
5	V _{CC}	Supply Voltage
6	S	Switch Select

TRUTH TABLE

S	Function
LOW	B ₀ connected to A
HIGH	B ₁ connected to A

1. $LOW \leq V_{IL}$
2. $HIGH \geq V_{IH}$

ABSOLUTE MAXIMUM RATINGS

Symbol	Parameter	Min	Max	Unit	
V _{CC}	Supply Voltage	-0.5	6.0	V	
V _{CNTRL}	DC Input Voltage (Note 3)	-0.5	V _{CC}	V	
V _{SW}	DC Switch I/O Voltage (Note 3)	-0.50	6.00	V	
I _{IK}	DC Input Diode Current	-50	-	mA	
I _{OUT}	DC Output Current	-	50	mA	
T _{STG}	Storage Temperature	-65	+150	°C	
MSL	Moisture Sensitivity Level (JEDEC J-STD-020A)	-	1	Level	
ESD	Human Body Model, ANSI/ESDA/JEDEC JS-001-2012	All Pins	2	-	kV
		I/O to GND	2	-	
		Power to GND	2	-	
	Charged Device Model, JEDEC: JESD22-C101	1	-		

Stresses exceeding those listed in the Maximum Ratings table may damage the device. If any of these limits are exceeded, device functionality should not be assumed, damage may occur and reliability may be affected.

3. The input and output negative ratings may be exceeded if the input and output diode current ratings are observed.

RECOMMENDED OPERATING CONDITIONS

Symbol	Parameter	Min	Max	Unit
V _{CC}	Supply Voltage	1.6	5.5	V
V _{CNTRL}	Control Input Voltage (S) (Note 4)	0	V _{CC}	V
V _{SW}	Switch I/O Voltage	-0.5	5.5	V
T _A	Operating Temperature	-40	+85	°C

Functional operation above the stresses listed in the Recommended Operating Ranges is not implied. Extended exposure to stresses beyond the Recommended Operating Ranges limits may affect device reliability.

4. The control input must be held HIGH or LOW and it must not float.

FSA3051

DC CHARACTERISTICS (All typical value are at $T_A = 25^\circ\text{C}$ unless otherwise specified.)

Symbol	Characteristic	Condition	V_{CC} (V)	$T_A = -40^\circ\text{C to } 85^\circ\text{C}$			Unit
				Min	Typ	Max	
V_{IK}	Clamp Diode Voltage	$I_{IN} = -18\text{ mA}$	3.0	–	–	–1.2	V
V_{IH}	Input Voltage High		1.8 to 4.3	1.3	–	–	V
			4.3 to 5.5	1.7	–	–	
V_{IL}	Input Voltage Low		1.8 to 4.3	–	–	0.5	V
			4.3 to 5.5	–	–	0.7	
I_{IN}	Control Input Leakage	$V_{CNTRL} = 0\text{ to } V_{CC}$	1.8	–1	–	1	μA
			5.5	–1	–	1	
I_{OZ}	Off State Leakage	$V_{SW} = 0\text{ V to } V_{CC}$	1.8	–2	–	2	μA
		$V_{SW} = 0\text{ V to } 3.6\text{ V}$	5.5	–2	–	2	
I_{OFF}	Power-Off Leakage Current (All I/O Ports)	$V_{SW} = 0\text{ V to } 4.3\text{ V}$, $V_{CC} = 0\text{ V}$, Figure 3	0	–2	–	2	μA
R_{ON}	Switch On Resistance (Note 5)	$V_{SW} = 0.4\text{ V}$, $I_{ON} = -8\text{ mA}$, Figure 2	3.0	–	4	10	Ω
		$V_{SW} = 1.8\text{ V}$, $I_{ON} = -8\text{ mA}$, Figure 2	3.0	–	6	10	
R_{ON}	Switch On Resistance (Note 5)	$V_{SW} = 0.4\text{ V}$, $I_{ON} = -8\text{ mA}$, Figure 2	1.8	–	6	10	Ω
		$V_{SW} = 1.8\text{ V}$, $I_{ON} = -8\text{ mA}$, Figure 2	1.8	–	14	25	
ΔR_{ON}	On Resistance Match Between Channels (Note 5, 6)	$V_{SW} = 0.4\text{ V}$, $I_{ON} = -8\text{ mA}$	3.0	–	35	–	$\text{m}\Omega$
			1.8	–	40	–	
I_{CC}	Quiescent Supply Current	$V_{CNTRL} = 0\text{ or } V_{CC}$, $I_{OUT} = 0$	5.5	–	–	1	μA
I_{CCT}	Increase in I_{CC} Current per Control Voltage and V_{CC}	$V_{CNTRL} = 1.8\text{ V}$	3.0	–	–	10	μA
		$V_{CNTRL} = 2.6\text{ V}$	5.5	–	–	10	
		$V_{CNTRL} = 1.8\text{ V}$	5.5	–	–	15	

5. Measured by the voltage drop between A and Bn pins at the indicated current through the switch. On resistance is determined by the lower of the voltage on the two (A or Bn ports).
6. $\Delta R_{ON} = R_{ON}$ maximum – R_{ON} minimum measured at identical V_{CC} , temperature, and voltage levels.
7. Guaranteed by characterization.

FSA3051

AC CHARACTERISTICS (Note 8) (All typical value are at $T_A = 25^\circ\text{C}$ unless otherwise specified.)

Symbol	Characteristic	Condition	V_{CC} (V)	$T_A = -40^\circ\text{C to } 85^\circ\text{C}$			Unit
				Min	Typ	Max	
t_{ON}	Turn-On Time S to Output	$R_L = 50\ \Omega$, $C_L = 5\ \text{pF}$, $V_{SW} = 0.8\ \text{V}$, Figure 4, Figure 5	3.0 to 3.6	–	34	–	ns
			1.8	–	110	–	
t_{OFF}	Turn-Off Time S to Output	$R_L = 50\ \Omega$, $C_L = 5\ \text{pF}$, $V_{SW} = 0.8\ \text{V}$, Figure 4, Figure 5	3.0 to 3.6	–	23	–	ns
			1.8	–	50	–	
t_{PD}	Propagation Delay	$C_L = 5\ \text{pF}$, $R_L = 50\ \Omega$, Figure 6, Figure 6	3.3	–	0.2	–	ns
			1.8	–	0.3	–	
t_{BBM}	Break-Before-Make	$R_L = 50\ \Omega$, $C_L = 5\ \text{pF}$, $V_{SW1} = V_{SW2} = 0.8\ \text{V}$, Figure 7	3.0 to 3.6	15	–	50	ns
			1.8	–	–	100	
O_{IRR}	Off Isolation	$R_L = 50\ \Omega$, $f = 240\ \text{MHz}$, Figure 9	1.8	–	–20	–	dB
			3.0 to 3.6	–	–23	–	
Xtalk	Crosstalk	$R_L = 50\ \Omega$, $f = 240\ \text{MHz}$, Figure 10	1.8	–	–18	–	dB
			3.0 to 3.6	–	–23	–	
BW	–3 db Bandwidth	$R_L = 50\ \Omega$, $C_L = 0\ \text{pF}$, $V_{SW} = 0.4\ \text{V}$	1.8	–	810	–	MHz
		$R_L = 50\ \Omega$, $C_L = 0\ \text{pF}$, Figure 8	3.0 to 3.6	–	1	–	GHz
		$R_L = 50\ \Omega$, $C_L = 5\ \text{pF}$, Figure 8		–	750	–	MHz

8. Guaranteed by characterization. Not production tested.

CAPACITANCE (Note 9)

Symbol	Characteristic	Condition	V_{CC} (V)	$T_A = -40^\circ\text{C to } 85^\circ\text{C}$			Unit
				Min	Typ	Max	
C_{IN}	Control Pin Input Capacitance		0	–	1.5	–	pF
C_{ON}	A Port On Capacitance	$f = 1\ \text{MHz}$,	3.0	–	7.7	–	
		$f = 240\ \text{MHz}$, Figure 12	3.3	–	7.7	–	
		$f = 1\ \text{MHz}$,	1.8	–	10.0	–	
		$f = 240\ \text{MHz}$, Figure 12	1.8	–	5.0	–	
C_{OFF}	Bn Port Off Capacitance	$f = 1\ \text{MHz}$	3.0	–	3.3	–	
		$f = 240\ \text{MHz}$, Figure 11	3.3	–	3.3	–	
		$f = 1\ \text{MHz}$	1.8	–	5.0	–	
		$f = 240\ \text{MHz}$, Figure 11	1.8	–	4.0	–	

9. Not production tested.

TEST DIAGRAMS

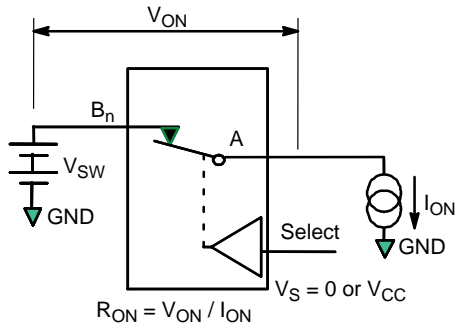


Figure 2. On Resistance

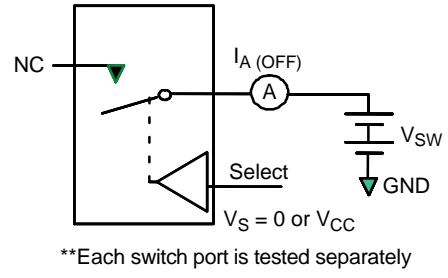


Figure 3. Off Leakage

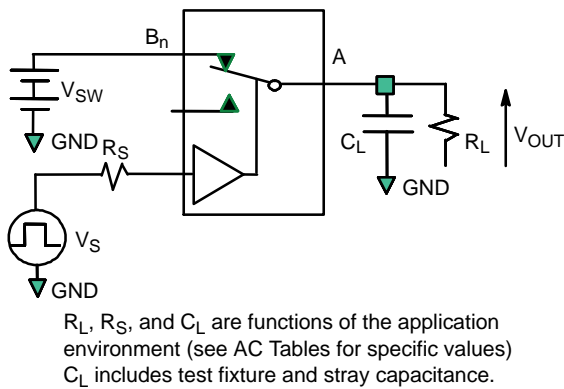


Figure 4. AC Test Circuit Load

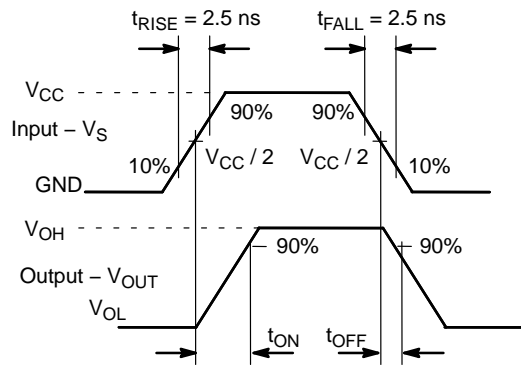


Figure 5. Turn-On / Turn-Off Waveforms

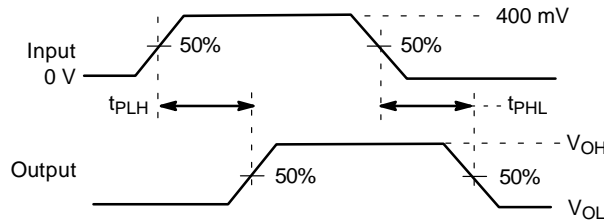


Figure 6. Propagation Delay ($t_{PLH} - 500 \text{ ps}$)

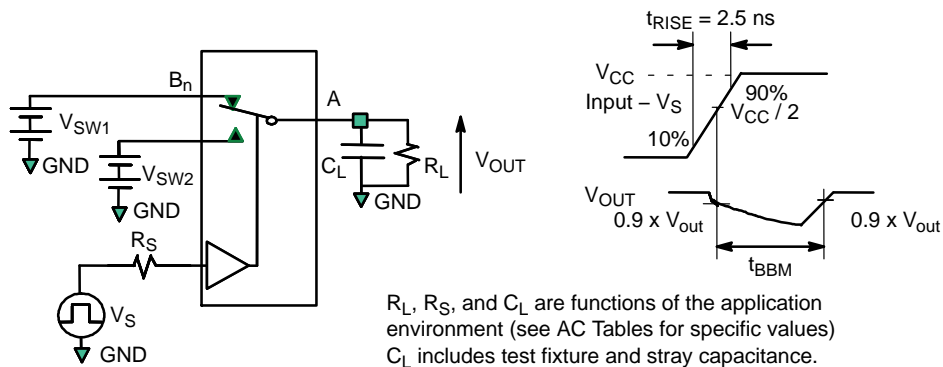


Figure 7. Break-Before-Make Interval Timing

TEST DIAGRAMS (CONTINUED)

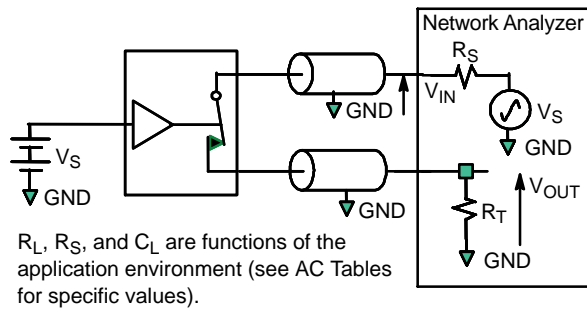
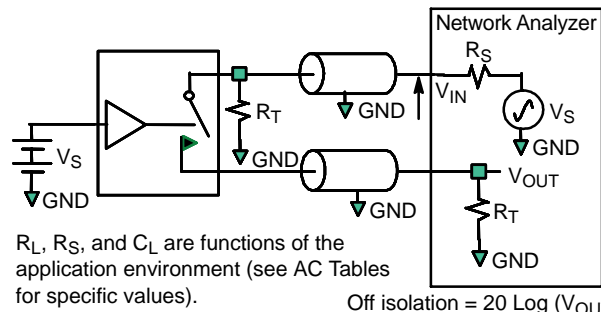
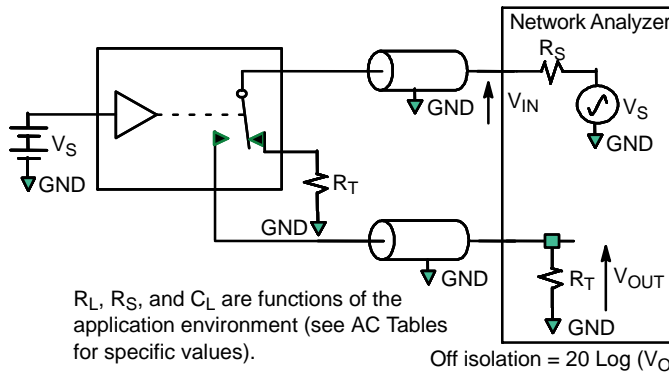


Figure 8. Bandwidth



Off isolation = $20 \text{ Log} (V_{OUT} / V_{IN})$

Figure 9. Channel Off Isolation



Off isolation = $20 \text{ Log} (V_{OUT} / V_{IN})$

Figure 10. Channel-to-Channel Crosstalk

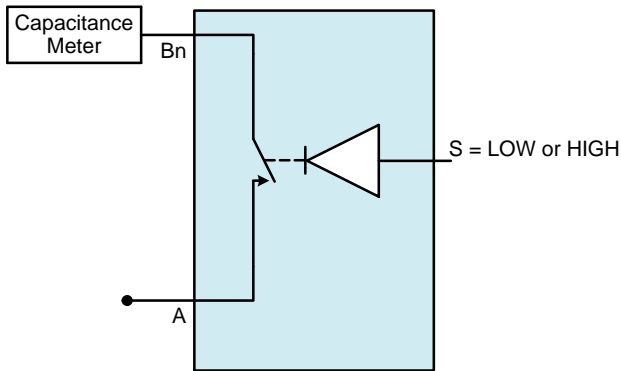


Figure 11. Channel Off Capacitance

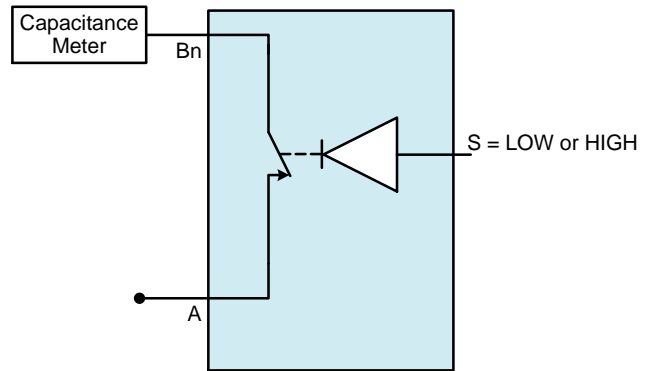


Figure 12. Channel On Capacitance

ORDERING INFORMATION

Part Number	Top Mark	Operating Temperature Range	Package Type	Shipping†
FSA3051TMX	NT	-40 to +85 °C	X2DFN6 1x1, 0.35P 6-Lead, Dual, Ultra-ultrathin Molded Leadless Package (TMLP), 1.0 x 1.0 mm. Top left unit orientation in carrier tape (Pb-Free, Halide Free)	10000 / Tape & Reel

†For information on tape and reel specifications, including part orientation and tape sizes, please refer to our Tape and Reel Packaging Specifications Brochure, BRD8011/D.

MECHANICAL CASE OUTLINE

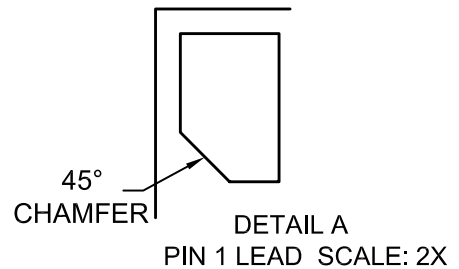
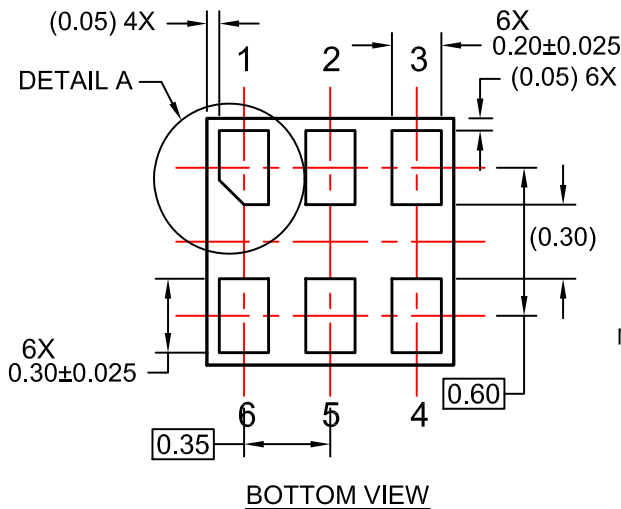
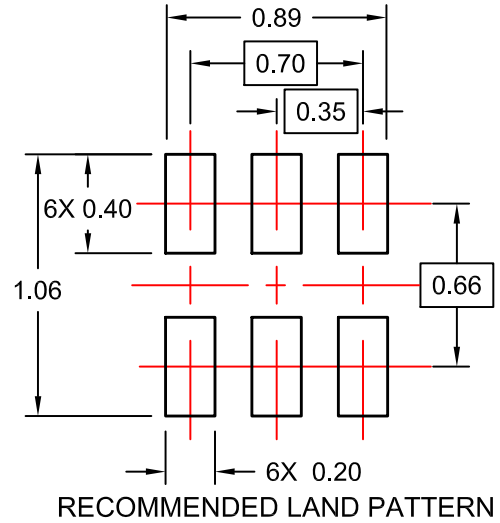
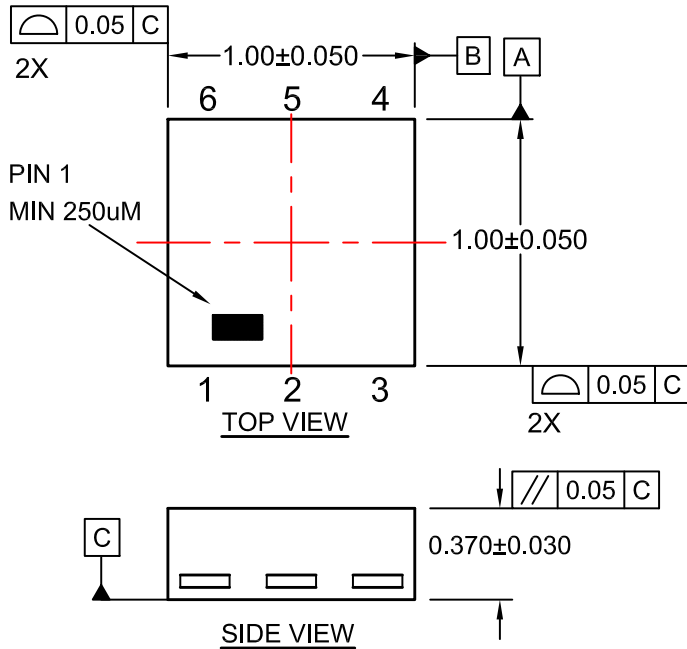
PACKAGE DIMENSIONS

ON Semiconductor®



X2DFN6 1x1, 0.35P
CASE 716AA
ISSUE O

DATE 30 NOV 2016



NOTES:

- A. NO JEDEC STANDARD APPLIES
- B. DIMENSIONS ARE IN MILLIMETERS.
- C. DIMENSIONS AND TOLERANCES PER ASME Y14.5M, 2009

⌀	0.05(M)	C	B	A
	0.05	C		

DOCUMENT NUMBER:	98AON13695G	Electronic versions are uncontrolled except when accessed directly from the Document Repository. Printed versions are uncontrolled except when stamped "CONTROLLED COPY" in red.
DESCRIPTION:	X2DFN6 1x1, 0.35P	PAGE 1 OF 1

ON Semiconductor and are trademarks of Semiconductor Components Industries, LLC dba ON Semiconductor or its subsidiaries in the United States and/or other countries. ON Semiconductor reserves the right to make changes without further notice to any products herein. ON Semiconductor makes no warranty, representation or guarantee regarding the suitability of its products for any particular purpose, nor does ON Semiconductor assume any liability arising out of the application or use of any product or circuit, and specifically disclaims any and all liability, including without limitation special, consequential or incidental damages. ON Semiconductor does not convey any license under its patent rights nor the rights of others.

onsemi, **Onsemi**, and other names, marks, and brands are registered and/or common law trademarks of Semiconductor Components Industries, LLC dba "**onsemi**" or its affiliates and/or subsidiaries in the United States and/or other countries. **onsemi** owns the rights to a number of patents, trademarks, copyrights, trade secrets, and other intellectual property. A listing of **onsemi**'s product/patent coverage may be accessed at www.onsemi.com/site/pdf/Patent-Marking.pdf. **onsemi** reserves the right to make changes at any time to any products or information herein, without notice. The information herein is provided "as-is" and **onsemi** makes no warranty, representation or guarantee regarding the accuracy of the information, product features, availability, functionality, or suitability of its products for any particular purpose, nor does **onsemi** assume any liability arising out of the application or use of any product or circuit, and specifically disclaims any and all liability, including without limitation special, consequential or incidental damages. Buyer is responsible for its products and applications using **onsemi** products, including compliance with all laws, regulations and safety requirements or standards, regardless of any support or applications information provided by **onsemi**. "Typical" parameters which may be provided in **onsemi** data sheets and/or specifications can and do vary in different applications and actual performance may vary over time. All operating parameters, including "Typicals" must be validated for each customer application by customer's technical experts. **onsemi** does not convey any license under any of its intellectual property rights nor the rights of others. **onsemi** products are not designed, intended, or authorized for use as a critical component in life support systems or any FDA Class 3 medical devices or medical devices with a same or similar classification in a foreign jurisdiction or any devices intended for implantation in the human body. Should Buyer purchase or use **onsemi** products for any such unintended or unauthorized application, Buyer shall indemnify and hold **onsemi** and its officers, employees, subsidiaries, affiliates, and distributors harmless against all claims, costs, damages, and expenses, and reasonable attorney fees arising out of, directly or indirectly, any claim of personal injury or death associated with such unintended or unauthorized use, even if such claim alleges that **onsemi** was negligent regarding the design or manufacture of the part. **onsemi** is an Equal Opportunity/Affirmative Action Employer. This literature is subject to all applicable copyright laws and is not for resale in any manner.

ADDITIONAL INFORMATION

TECHNICAL PUBLICATIONS:

Technical Library: www.onsemi.com/design/resources/technical-documentation
onsemi Website: www.onsemi.com

ONLINE SUPPORT: www.onsemi.com/support

For additional information, please contact your local Sales Representative at www.onsemi.com/support/sales